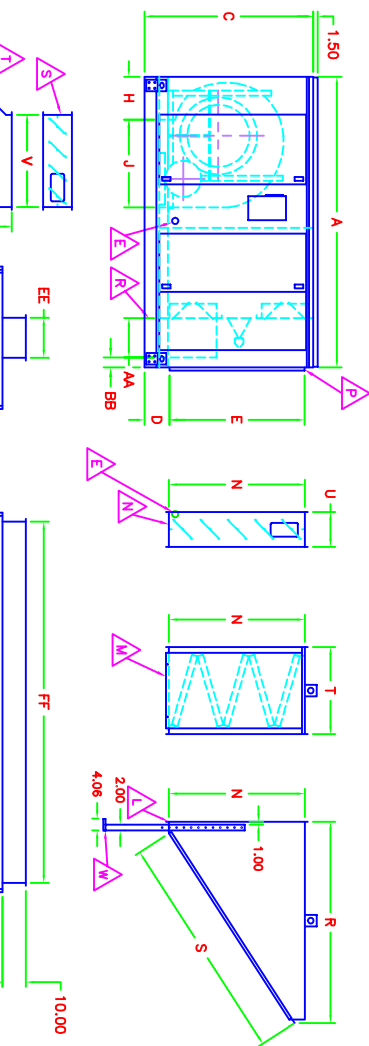
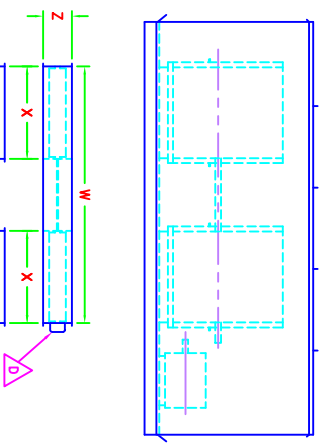
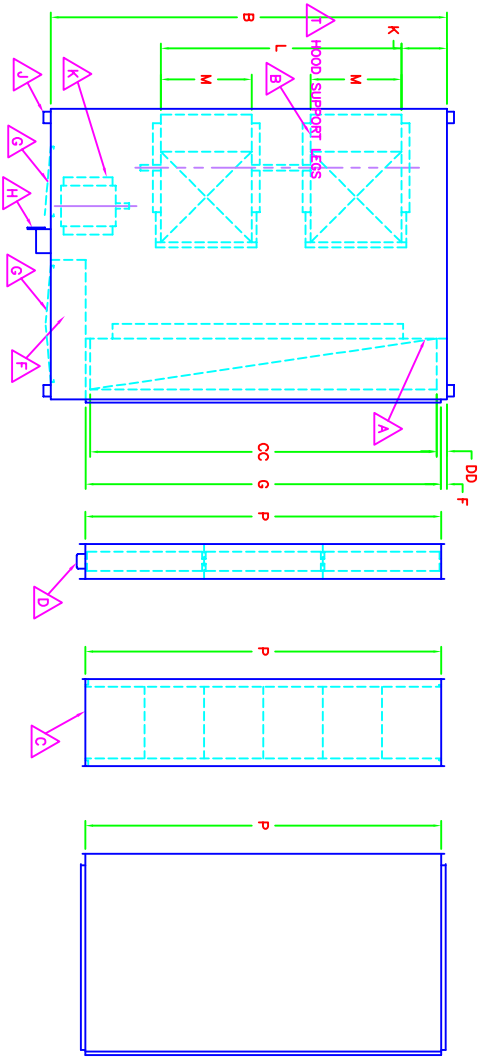


MODEL NO	A	B	C	D	E	F	G	H	J	K	L	M	N	P	R	S	T	U	V	W	X	Y	Z	AA	BB	CC	DD	EE	FF	GG	HH	JJ	**FA FILTER QUANTITY	**FA FILTER/HOOD QUANTITY	**FA FILTER QUANTITY
222M	100	146	58	8.5	46.5	2	140	14.13	27.5	19.5	77	27.5	46.75	140.25	69.5	76	26	10	27.75	77.25	27.75	33.75	10	13.5	5.75	123.75	5.75	13.75	124	140.25	44.75	50	(20)20"x25"	(21)20"x25"	(21)20"x25"
225M	100	146	58	8.5	46.5	2	140	15.38	31.5	15.5	88	31.5	46.75	140.25	69.5	76	26	10	31.75	88.25	31.75	37.75	10	13.5	5.75	123.75	5.75	13.75	124	140.25	44.75	50	(20)20"x25"	(21)20"x25"	(21)20"x25"
227M	100	156	66	10.5	52.5	2	152	17	34.5	19.5	96	34.5	52.75	152.25	64	72	27	10	34.75	96.25	34.75	40	10	15.5	5.75	133.75	5.75	15.75	134	152.25	50.75	50	(30)20"x25"	(10)16"x25"	(24)20"x25"
230M	100	156	66	10.5	52.5	2	152	18.5	37	15.5	104	37	52.75	152.25	64	72	27	10	37.25	104.25	37.25	43	10	15.5	5.75	133.75	5.75	15.75	135	152.25	50.75	50	(30)20"x25"	(10)16"x25"	(24)20"x25"

Rev 06/25/14
30400075

- △ 80/20 BURNER PROFILE
- △ TWIN FC DWDI BLOWERS
- △ LEFT-OFF INTAKE FILTER SERVICE DOOR
- △ DAMPER MOTOR
- △ GAS CONNECTION
- △ ELEC /MANIFOLD CONTROLS VESTIBULE
- △ HINGED SERVICE DOOR
- △ MAIN DISCONNECT SWITCH
- △ LIFTING LUG (4-PLACES)
- △ SUPPLY FAN BLOWER MOTOR
- △ STANDARD FRESH AIR INTAKE HOOD/FILTER COMBINATION (FILTERS SUPPLIED ONLY WHEN ORDERED)
- △ FRESH AIR INTAKE FILTER
- △ FRESH AIR INTAKE DAMPER
- △ FRESH AIR INTAKE OPENING
- △ RETURN AIR INTAKE OPENING
- △ DISCHARGE DAMPER
- △ DISCHARGE DIFFUSER (2-PIECES)
- △ RETURN AIR INTAKE FILTER
- △ RETURN AIR INTAKE FILTER SCREEN
- △ HOOD SUPPORT LEGS

- NOTES:
- 18/20 HAS A SINGLE VESTIBULE DOOR
 - EQUIPMENT SUPPORT RECOMMENDED UNDER FRESH AIR INTAKE FILTER
 - EQUIPMENT SUPPORT RECOMMENDED UNDER FRESH AIR INTAKE HOOD
 - GRADE SUPPORT RECOMMENDED UNDER RETURN AIR INTAKE FILTER
 - BASE DESIGNED FOR FLAT MOUNT OR CURB MOUNT
 - **FA : FRESH AIR
 - **RA : RETURN AIR



RUPP AIR MANAGEMENT SYSTEMS

DRAWING NO: 30DDRI
 DATE: 02/10/00
 SCALE: 1:1
 DO NOT SCALE DRAWING USE DIMENSIONS SHOWN
 ALL DIMENSIONS ARE IN INCHES UNLESS OTHERWISE SPECIFIED

REV	DESCRIPTION	DATE
01	Changed 227/230 filter quantity	

HORIZONTAL-222M, 225M, 227M AND 230M
DOWN DISCHARGE RIGHT TO LEFT

ECN NO	DWG	DATE
6-25-14		

TOLERANCES
 2 PLCS ±.03
 6 PLCS ±.015

30DDRI
 30400075